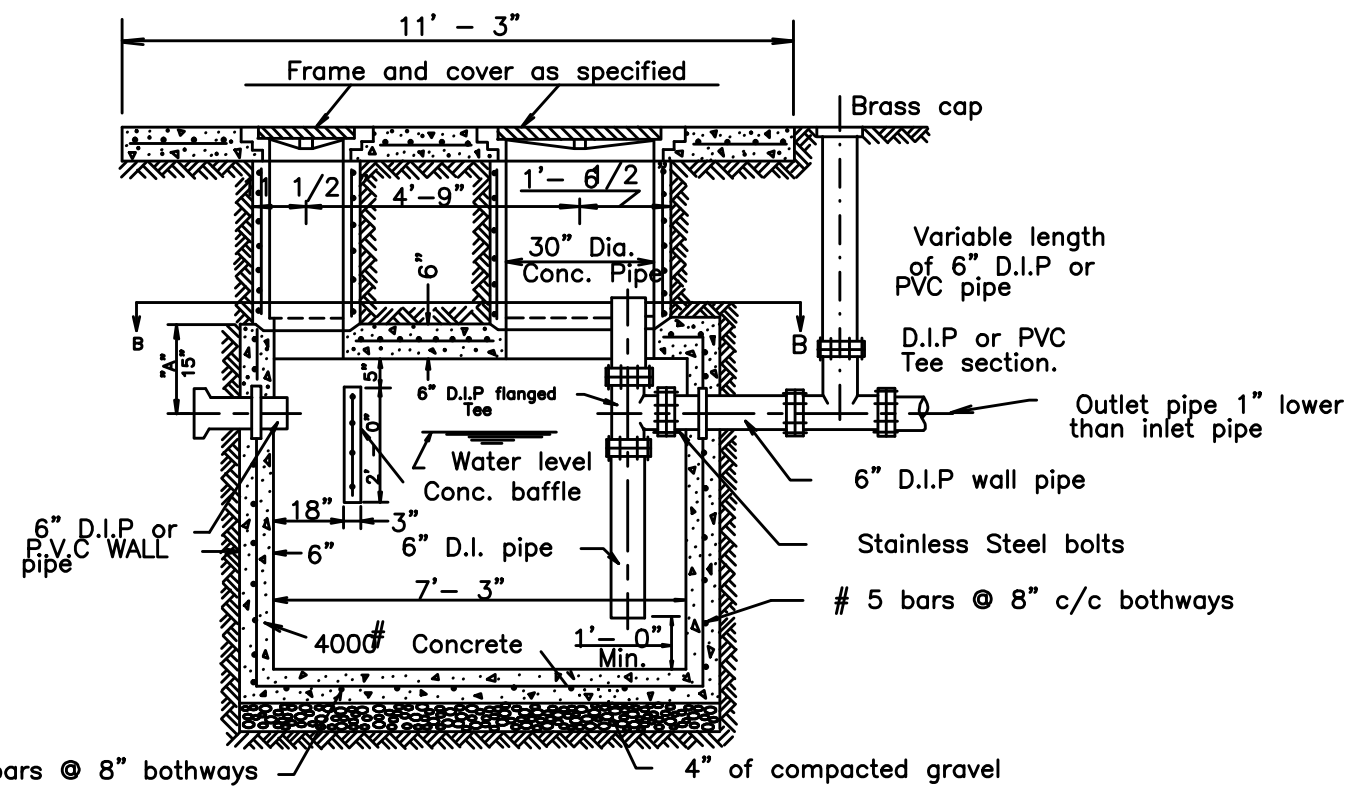
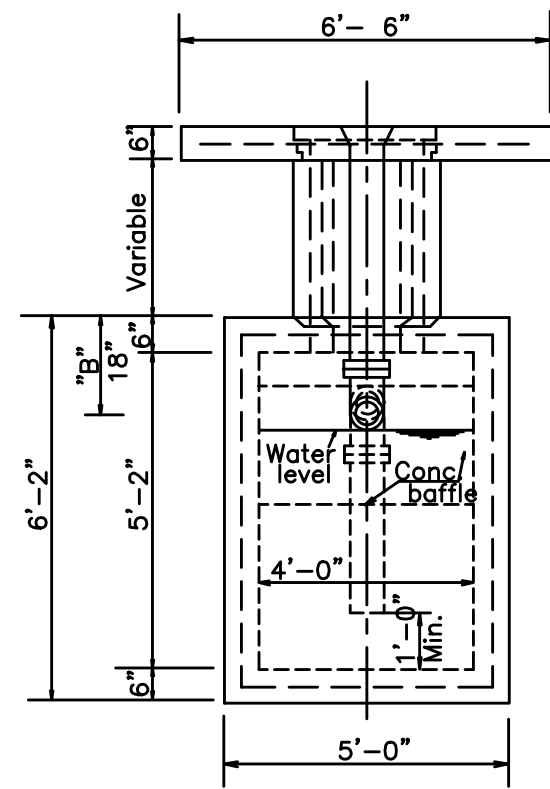


SECTION B - B
SHOWING REINFORCING LAYOUT



SECTION A - A



END VIEW

NOTE:
 Approximate capacity is 1120 gallons
 4000# concrete pad - 4" when grease trap is not in the street.
 4000# concrete pad - 6" (H - 20 loading) when grease trap is in paved areas.
 Bedding under piping thoroughly compacted.

TYPICAL STANDARD GREASE TRAP

REVISIONS:

SCALE
NO SCALE

DATE : DEC. 1998

UNIFORM STANDARDS: CLEVELAND --- CUYAHOGA COUNTY --- NORTHEAST OHIO REGIONAL SEWER DISTRICT