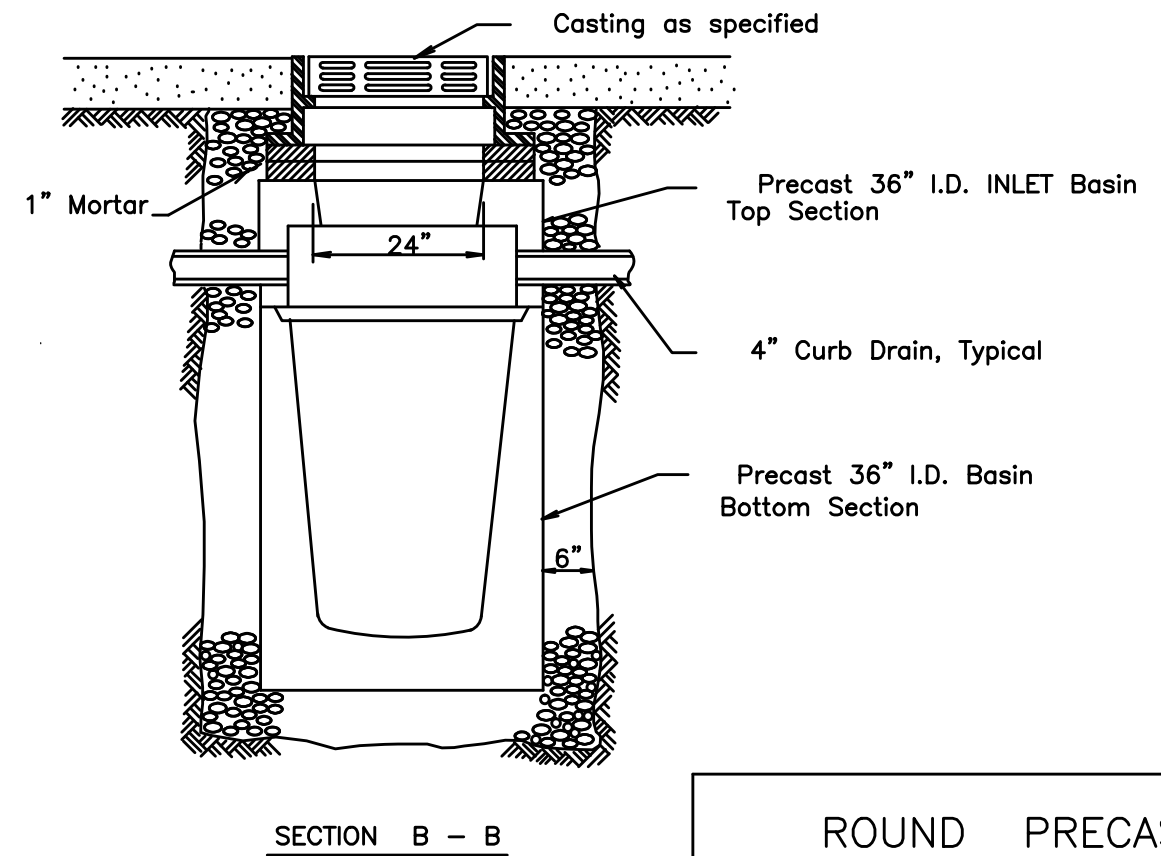


Conc. adjustment rings or brick if required

0.12 sq. in. per foot, welded wire fabric in center of wall

4000 P.S.I. Concrete Reinforced with 3"x 8" 6 ga. - 5 ga. welded wire fabric

0.12 sq. in. per foot circumferential reinforcement with 2- 1/2 " cover



ROUND PRECAST CONCRETE INLET BASIN

REVISIONS:

SCALE
NO SCALE

DATE : DEC. 1998

UNIFORM STANDARDS: CLEVELAND --- CUYAHOGA COUNTY --- NORTHEAST OHIO REGIONAL SEWER DISTRICT