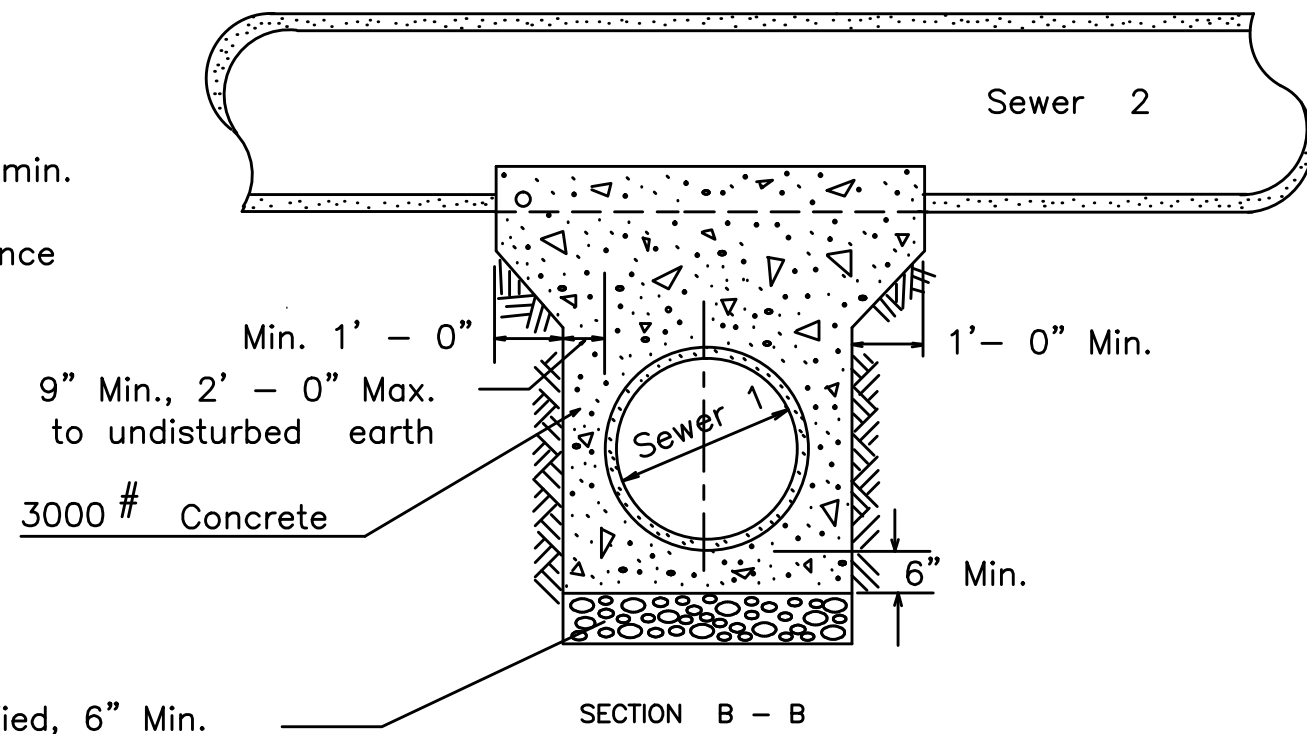
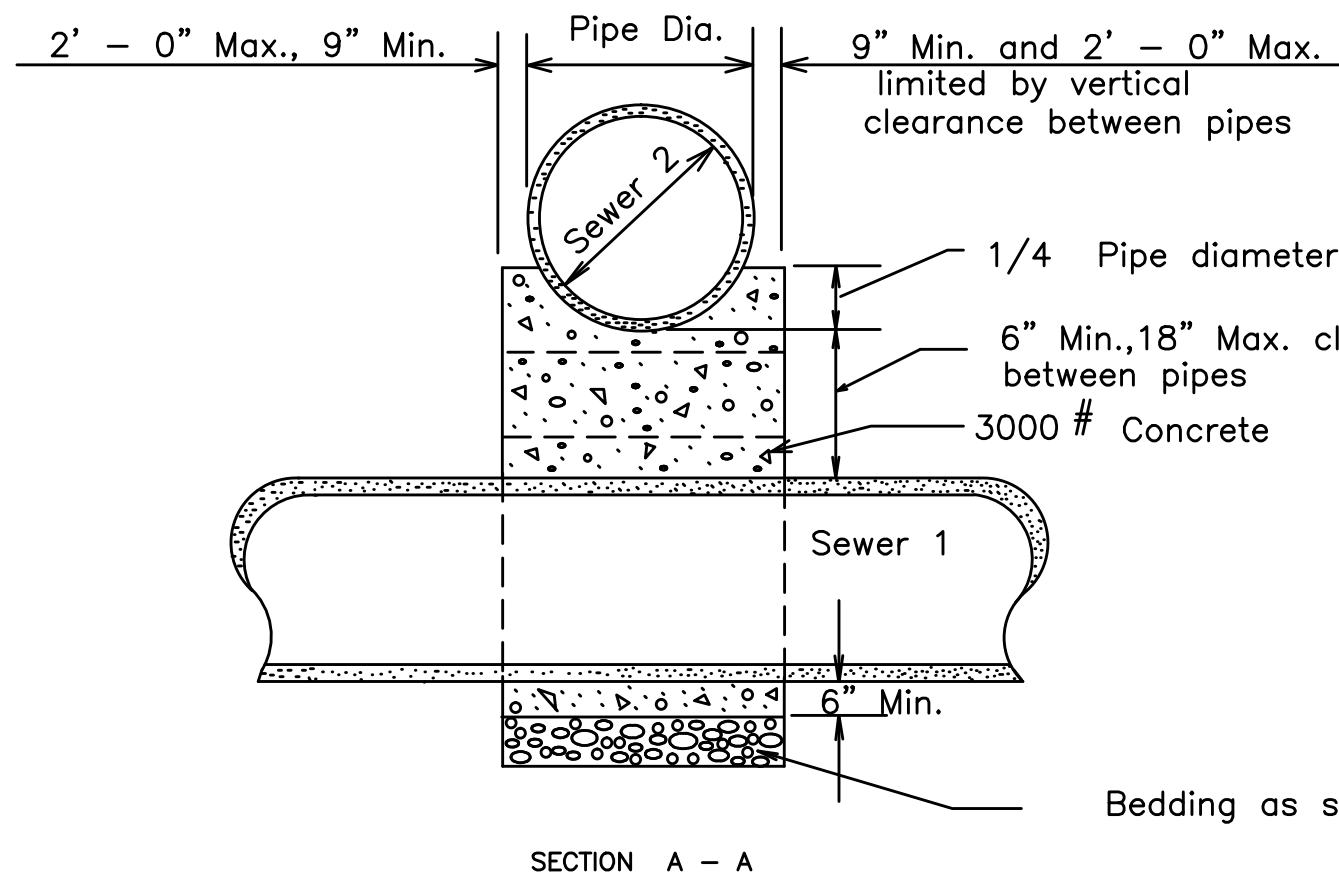
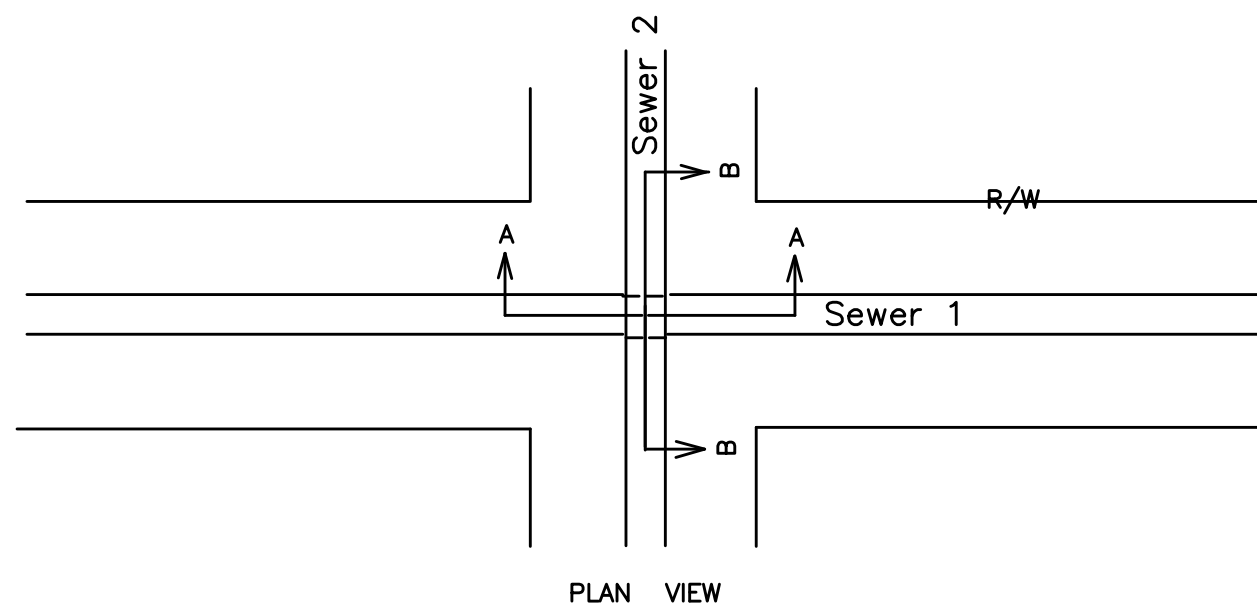


NOTE :

Encasement required when pipe clearance is less than 18"



CONCRETE ENCASEMENT
MONOLITHIC CRADLING OF UPPER PIPE

REVISIONS:

SCALE
NO SCALE

DATE : DEC. 1998

UNIFORM STANDARDS: CLEVELAND --- CUYAHOGA COUNTY --- NORTHEAST OHIO REGIONAL SEWER DISTRICT